

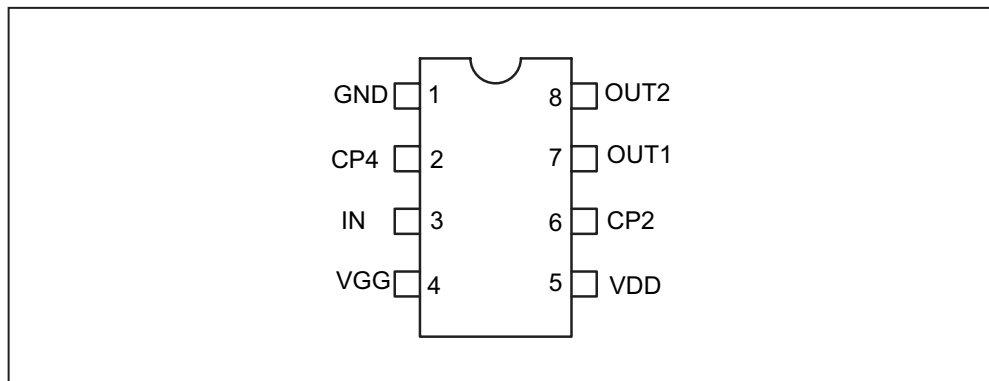
1. Description

The V3207 is a 1024-stage low-noise, low-voltage BBD analog delay line that provides analog signal delays of up to 51.2 ms and is particularly suitable for the generation of sound effects (reverb, echo, phaser, flanger, etc.) in audio equipment such as karaoke microphones, guitar effects pedals, etc.

2. Features

- **Variable Delay of Audio Signals:** 2.56 ms ~ 51.2 ms
- **Wide Supply Voltage:** 4 ~ 10 V
- **Wide Dynamic Range:** S/N = 73 dB typ.
- **Low Distortion:** THD = 0.4 % typ. ($V_i = 0.25 V_{rms}$)
- **Clock Frequency Range:** 10 kHz ~ 200 kHz
- **Package outline:** DIL-8 (V3207D)
- **ROHS compliant (PB-free)**

3. Pin Configuration



Information furnished by COOLAUDIO is believed to be accurate and reliable. However, no responsibility is assumed by COOLAUDIO for its use, nor for any infringements of patents or other rights of third parties which may result from its use. No license is granted by implication or otherwise under any patent or patent rights of COOLAUDIO.

Rev. 1.0

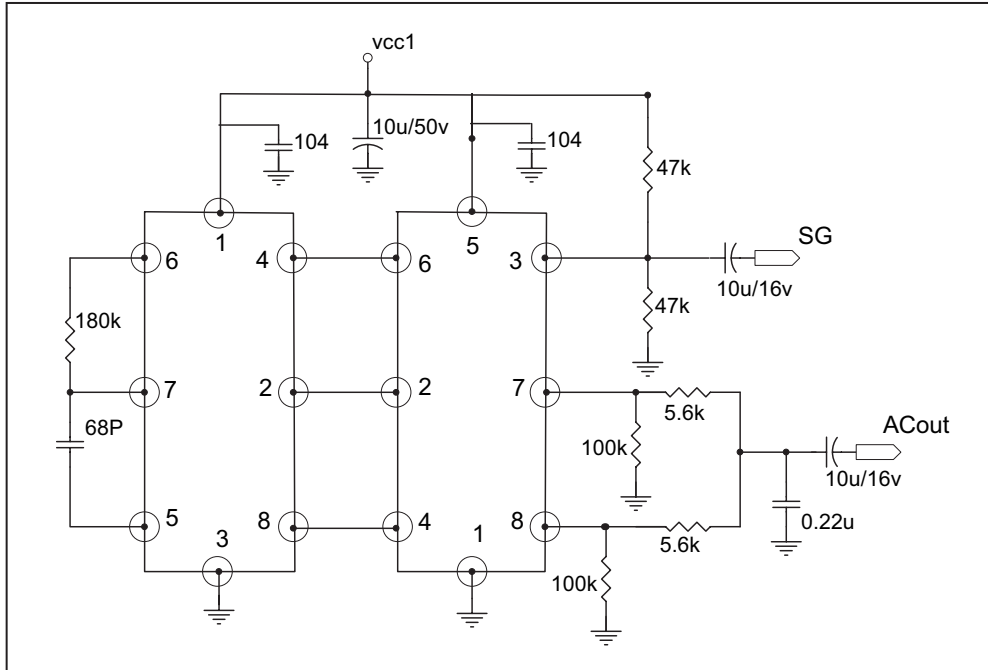
4. Absolute Maximum Ratings (Tamb=25°C)

Parameter	Symbol	Value		Unit
		Min	Max	
Supply Voltage	Vcc, VGG, Vcp, I	-0.3	Vcc+1	V
Output Voltage	V0	-0.3	Vcc+1	V
Operating Temperature	Tamb	-25	70	°C
Storage Temperature	Tstg	-55	150	°C

5. Electrical Characteristics (Ta=25°C, Unless otherwise specified)

Parameter	Symbol	Test Condition	Value			Unit
			Min	Typ.	Max	
Signal Delay Time	td		25.6		51.2	ms
Input Signal Frequency	fi	fcp=40KHz, Vi=0.35V 3dB down (OdB, fi=1KHz)	10			kHz
Input Signal Swing	Vi	fcp=40KHz; fi=1KHz, THD=2.5%	0.36			V
Insertion Loss	Li	fcp=40KHz; fi=1KHz, Vi=0.35V	-4	0	+4	dB
Total Harmonic Distortion	THD	fcp=40KHz; fi=1KHz, Vi=0.25V		0.4%	25%	
Noise Voltage	VN	fcp=100KHz; Weighted by "A" cruce			0.25	mV
Signal to Noise Ratio	S/N	fcp=100KHz; Weighted by "A" cruce		73		dB

6. Application Circuit



7. Mechanical Specifications

